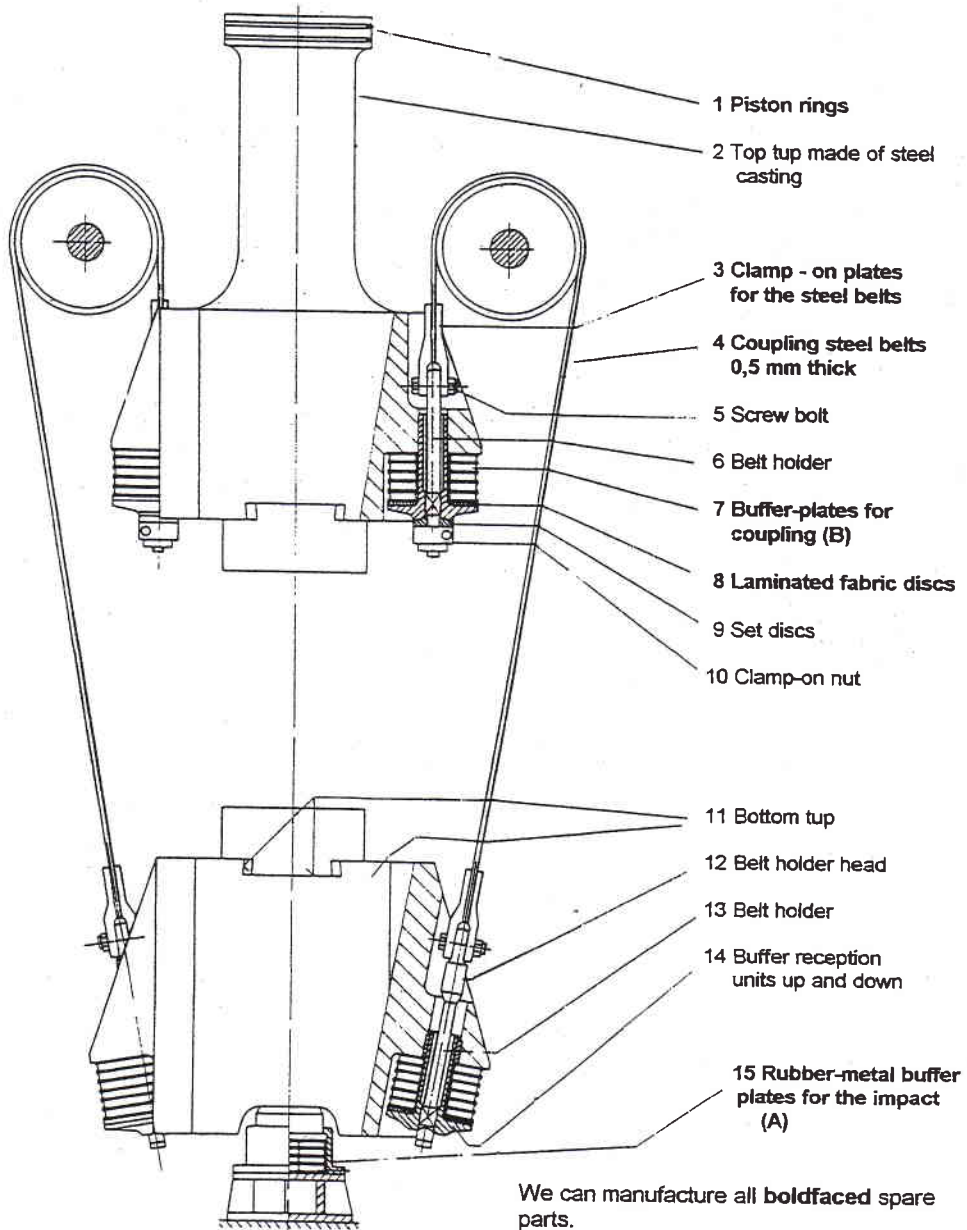


Rubber Shaft Bearings
 Rubber Mouldings
 Rubber-Metal-Parts
 for all technical purposes
 Lining with rubber of containers,
 rollers and so on

gumeta

Since
 1955

GUMETA - Spare parts for Counter-blow Hammer (belt & hydraulically coupled)	page N°: 0 - 100
--	-------------------------



gumeta Gummi-Metall-Werk
 H. Maes GmbH
 Südstraße 9
 D-66780 Rehlingen-Siersburg

Phone +49 (0) 68 35 / 30 94
 Fax +49 (0) 68 35 / 6 70 57
<http://www.gumeta.de>
 e-mail: info@gumeta.de

Managing Director: H. Maes
 Head office: Rehlingen
 Magistrate's court Saarbrücken
 HRB 24768
 VAT No.: DE 137 869 487

Bank connections:

Commerzbank Saarlouis
 BLZ 590 400 00 • A/C 5 50-38 75
 IBAN: DE80 5904 0000 0550 3875 00
 BIC(Swift): COBADEFFXXX
 Kreissparkasse Saarlouis
 BLZ 593 501 10 • A/C 21-1 1123-2
 IBAN: DE20 5935 0110 0021 1123 32
 BIC(Swift): KRSAD55XXX